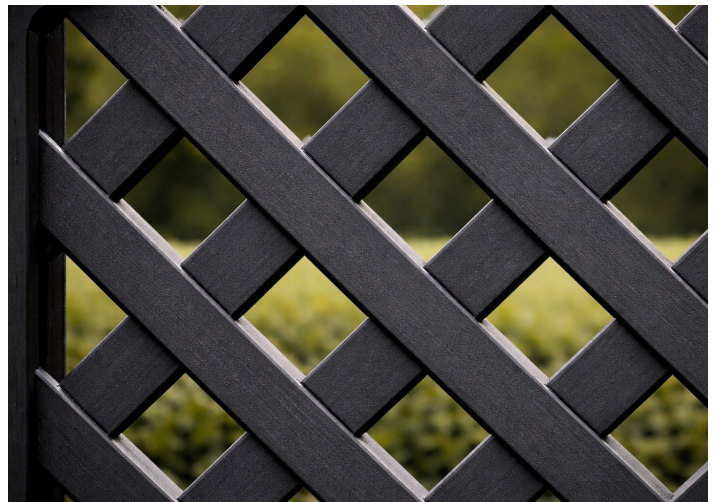


# BRIDGE LANE

HOME & GARDEN



Wellington Utility Screen



# Wellington Utility Screen

## HEIGHT

4'

## WIDTH

2' / 3' / 4' / 5'

## MATERIAL

Made from eco-conscious, advanced recycled PVC with internal Aluminum Reinforcement.

## COLOR



Ebony



Charcoal



BLHG Green



Moss



Mist



Shell

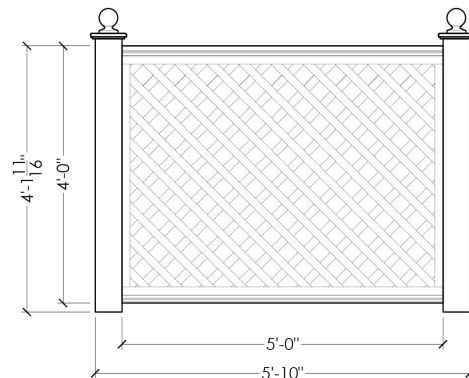
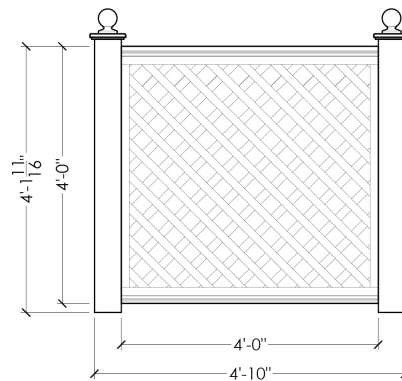
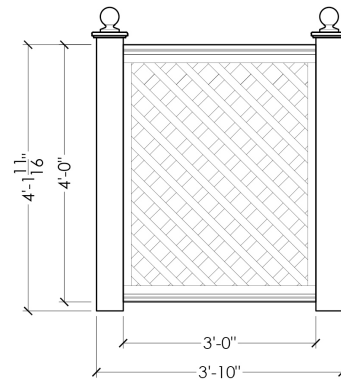
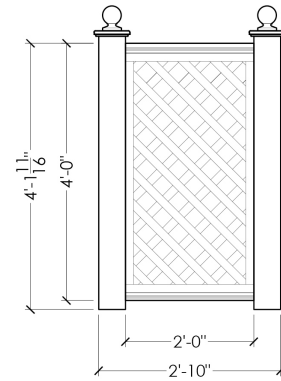
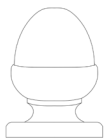


Slate



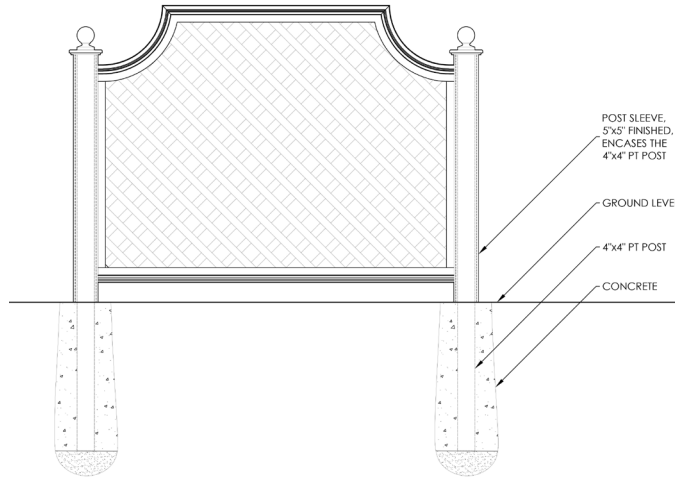
Parchment

## FINIALS

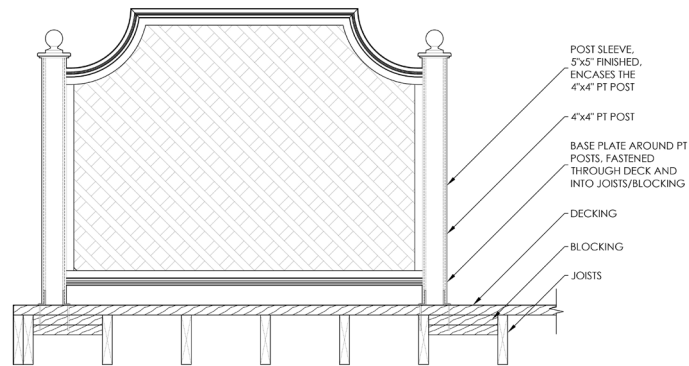


# Installation Instructions

## INSTALLATION SCHEMATIC Posts Set in Ground



## INSTALLATION SCHEMATIC Posts Surface-Mounted to Deck



## INSTALLATION SCHEMATIC Aluminum Patio Stand

