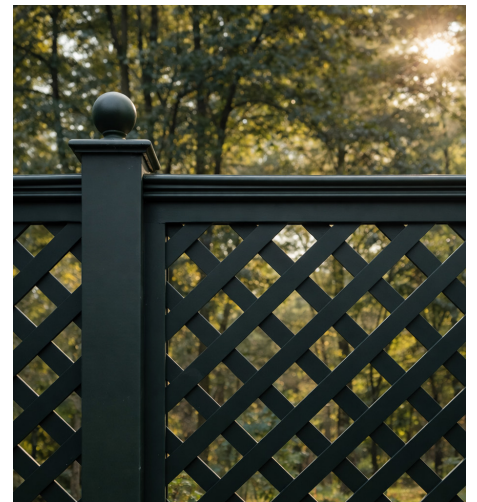


# BRIDGE LANE

HOME & GARDEN



Bridge Lane Estate Gate



# Bridge Lane Estate Gate

Starting at \$47,800

## STYLE

Standard  
Keyhole

## ALCOVE DEPTH

3'D  
4'D  
6'D

## MATERIAL

Made from eco-conscious, advanced recycled PVC with internal Aluminum Reinforcement.

## COLOR



Ebony



Charcoal



BLHG Green



Moss



Mist



Shell

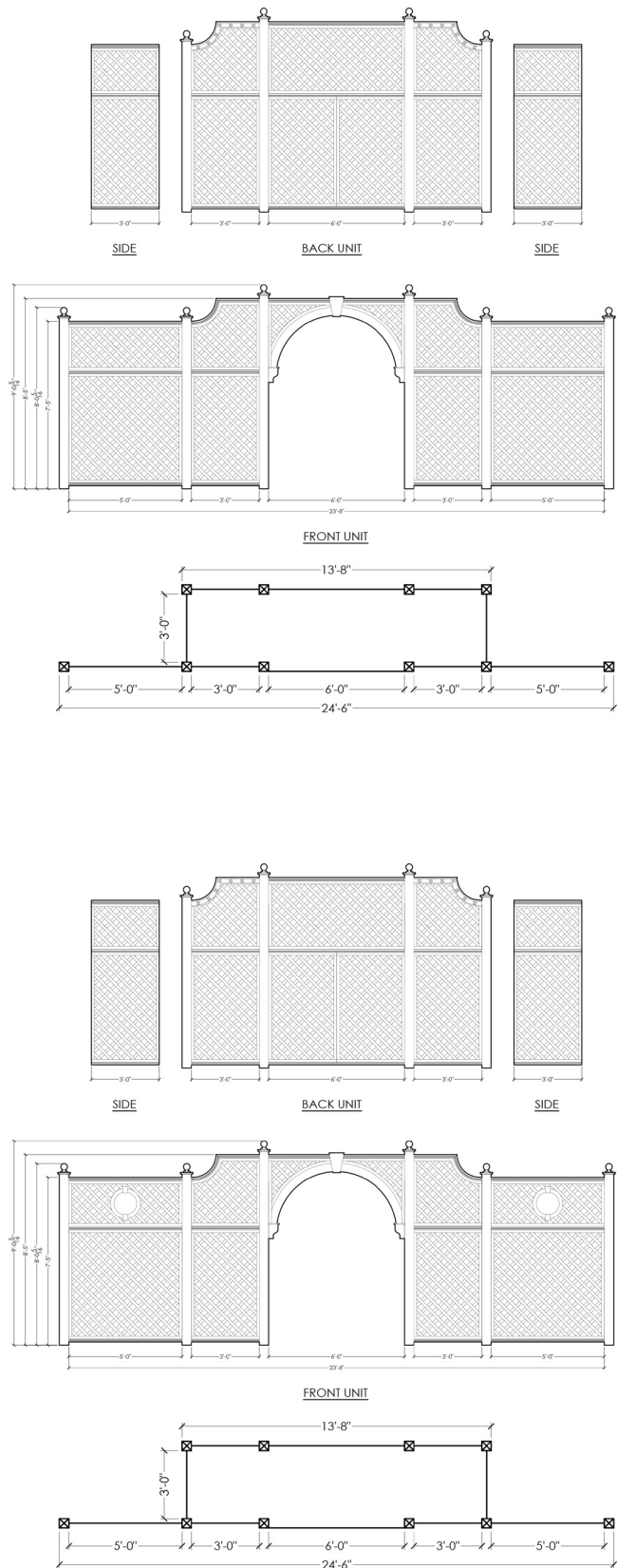
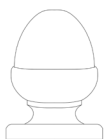


Slate



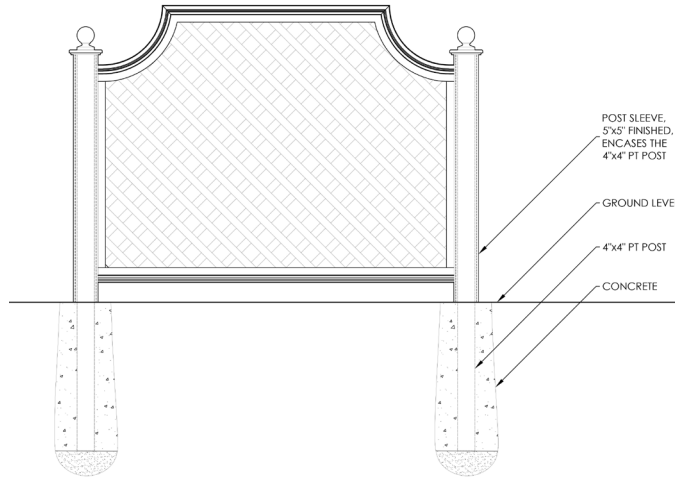
Parchment

## FINIALS

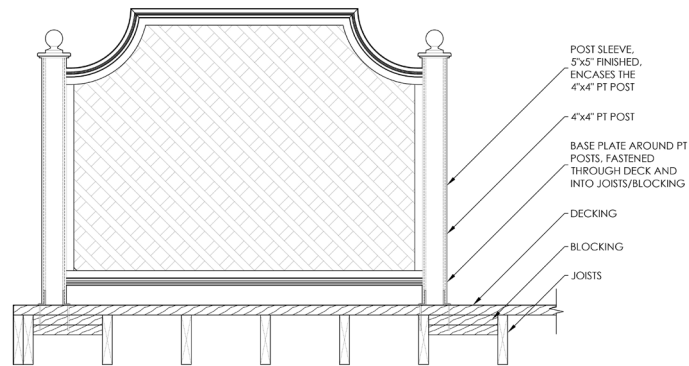


# Installation Instructions

## INSTALLATION SCHEMATIC Posts Set in Ground



## INSTALLATION SCHEMATIC Posts Surface-Mounted to Deck



## INSTALLATION SCHEMATIC Aluminum Patio Stand

