

BRIDGE LANE

HOME & GARDEN



Wellington Gate



Wellington Gate

STYLE

Straight Top
Inverted Arch

HEIGHT

6'0"

WIDTH

8'8"

MATERIAL

Made from eco-conscious, advanced recycled PVC with internal Aluminum Reinforcement.

COLOR



Ebony



Charcoal



BLHG Green



Moss



Mist



Shell

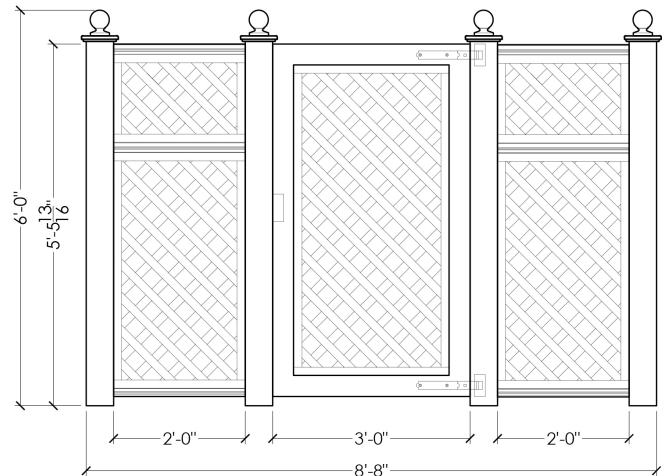
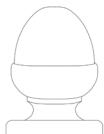


Slate

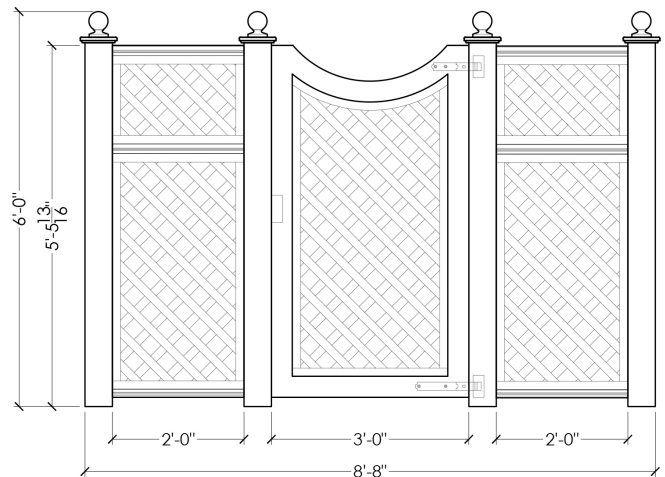


Parchment

FINIALS



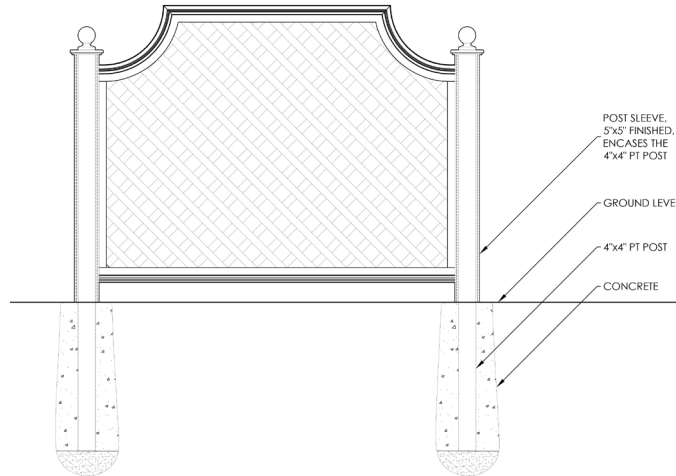
GATE CONCEPT: STRAIGHT TOP SINGLE GATE
SHOWN WITH TRADITIONAL GARDEN PANELS, BALL FINIALS



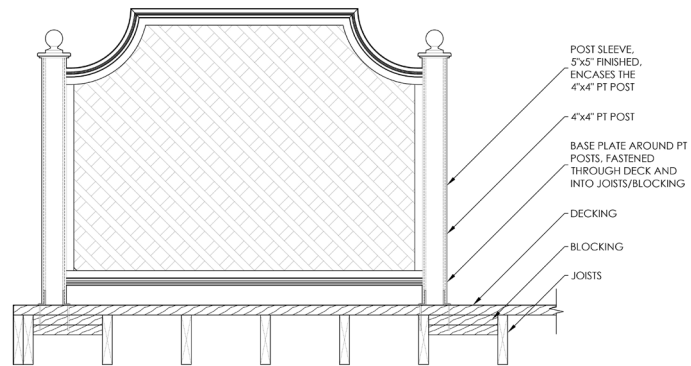
GATE CONCEPT: INVERTED ARCH SINGLE GATE
SHOWN WITH TRADITIONAL GARDEN PANELS, BALL FINIALS

Installation Instructions

INSTALLATION SCHEMATIC Posts Set in Ground



INSTALLATION SCHEMATIC Posts Surface-Mounted to Deck



INSTALLATION SCHEMATIC Aluminum Patio Stand

